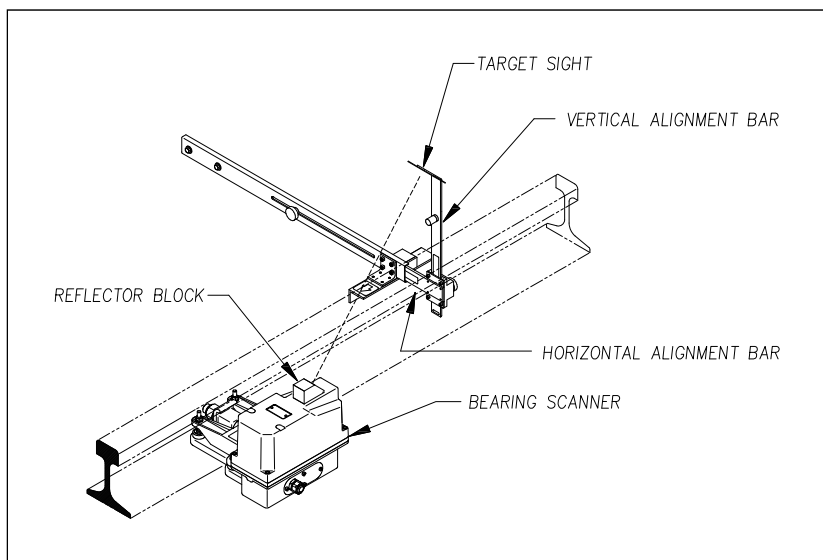


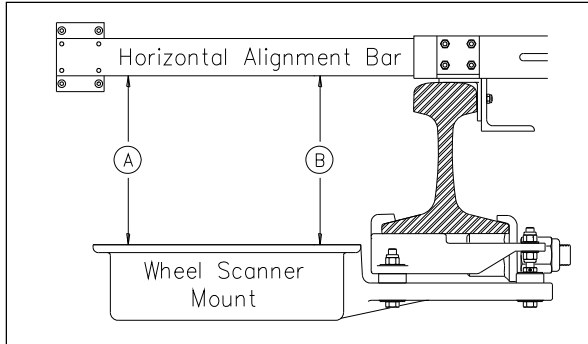
Description:

The Model 2066-000 Scanner Alignment Fixture is used to ensure that all scanners are aimed at the proper point above the rail. Each axis of the fixture is equipped with graduated scales that give indications relative to the top of the rail and the gauge.

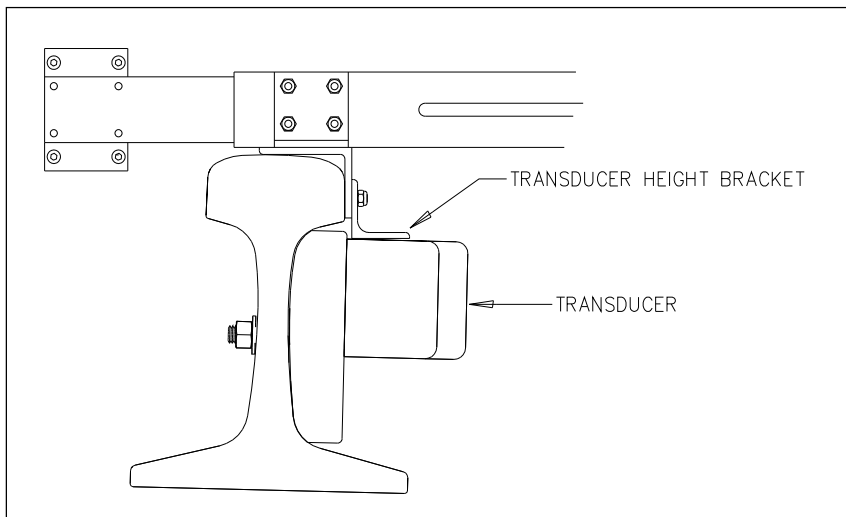
The fixture is used differently for bearing scanners and for wheel scanners. To align bearing scanners, you must use the 2066-200 Optical Alignment Accessory. The key parts of this optical system are the target sight and the reflector block. Shown below is alignment of a bearing scanner.



To align wheel scanners, you use the horizontal alignment bar of the fixture. Alignment is done by measuring from the bottom of the extended bar to the top of both ends of the scanner mount. When both measurements are the same, alignment is correct. That is, as shown below, when distance **A** is equal to distance **B**, alignment is correct.



The transducer height bracket on the bottom of the alignment fixture can be used to ensure proper installation of the transducers. When the transducer body touches the bracket, the transducer body is 1-9/16 inches (3.97 centimeters) below the top of the rail and parallel to it.



General Specifications

Dimensions (retracted)	45.00"L x 9.00"W x 5.00"H
Weight	9.25 lbs.